

OWNER'S MANUAL



Warning

- ! Do not slide, climb, or play on pole.
- ! Keep organic material away from pole base. Grass, litter, etc. could cause corrosion and /or deterioration.
- ! Check pole system twice a year for signs of corrosion (rust, pitting, and chipping). Remove rust and/or loose paint completely and repaint with exterior enamel paint. If rust has penetrated through the steel anywhere, replace pole immediately.
- ! Check unit before each use for loose hardware, excessive wear, and signs of corrosion and repair before using.
- ! During play, use extreme caution to keep players face away from the backboard, rim, and net.
- ! Wear a mouth guard when playing to avoid dental injuries.
- ! When adjusting height, keep hands and fingers away from moving parts.
- ! During play, do not wear jewelry (rings, watches, necklaces, etc.). Objects may entangle in net.



Pro Dunk® Platinum Basketball System

MODEL NUMBER
PD-P-G

WELCOME TO THE FAMILY OF PRO DUNK® OWNERS

Thank you for purchasing our basketball system. We try hard to ensure that our products are of high quality and free of manufacturing defects and of missing parts. However, if you have any problems with your basketball pole, such as a manufacturing defect or a missing part please contact us at the following:

Toll Free: 1.800.294.4667
Web: www.hoopsincorporated.com
FAX: (281) 357-4822

Hoops Incorporated
22047 Lutheran Church Rd.
Tomball, TX 77377

Please provide model number, serial number, and/or part number of the product and/or part when you call, write or email. These numbers can be found on the product, packaging, or in this owner's manual.

Read this manual all the way through before starting to put up your pole. Then read each step completely before beginning that step.

Bill of Materials

Ref.	Qty.	Description
A	1	Vertical Post
B	1	Main Extension Arm
C	2	Parallel Linkages
D	1	H-Frame Backboard Mount
E	2	Spring-Assist Cartridges
F	1	Crank Adjustment Cylinder
G	1	Rim Height Indicator
H	1	16mm X 15cm Hex Bolt
I	1	16mm X 19cm Hex Bolt
J	2	16mm Lock Nuts
K	4	16mm Anchor J-Bolts
L	12	16mm J-Bolt Hex Nuts
M	4	Anchor Footing Rebars
N	1	Anchor Footing Template
O	2	18mm X 30cm Hex Bolts
P	4	18mm X 33cm Hex Bolts
Q	6	18mm Lock Nuts
R	8	10mm X 3cm Hex Bolts
S	8	10mm Flatwashers
T	8	10mm Lockwashers
U	8	10mm Hex Nuts
V	1	Rim Height Sticker
W	4	Plastic and Steel Spacers

Installation Instructions

In order to have the safest, fun and longest use of your Pro Dunk® system, please note and heed the following:

1. Prior to goal assembly, call utility services for location of underground utility lines before you dig.
2. NOTE: Immediately unpack all components and cross check against bill of materials. Report any shortages to Hoops Inc. customer service at 1.800.294.4667.
3. Assembly is a two part process.

PART 1

- Day 1.** Complete Anchor System Installation Instructions. (Below)
- Day 2.** Allow concrete to cure.
- Day 3** Allow concrete to cure.
- Day 4.** Allow concrete to cure.

PART 2

- Day 5.** Complete Pro Dunk® assembly instructions.

4. For safety measures, have at least 3 capable persons to assist you in assembly of your Pro Dunk® Goal.

ANCHOR SYSTEM INSTALLATION INSTRUCTIONS

(Day 1)

WARNING

Before digging the hole for this pole, check for buried power, gas, water, and telecommunication lines! Failure to do so could result in serious or fatal injury! Contact your local utility company if unsure.

1. Choose the proper location to dig for the concrete footing. Use the distance chart in **figure C** to help you make your decision. When choosing the exact position to dig, make sure to maximize the amount of playing surface while minimizing possible driveway obstruction.

Rim Height	Distance from the face of the backboard to the front of the Vertical Post (A)
6'	65"
8'	66"
10'	48"

2. Dig hole 48" deep and 24" square. Be sure to bell out the bottom of the hole to give added stability to the footing.

NOTE: *If you live in an area where the frost line is below 48" it is advisable to dig to normal frost line. Do not cheat on the hole size, it is imperative that the hole be a minimum of 48" deep and 24" square!*

3. Assemble the anchor kit as shown in **figure B**. First thread a 16mm J-Bolt Hex Nut (L) 2 ½" of the way on to each 16mm Anchor J-Bolt (K). Place the threaded end of each 16mm Anchor J-Bolt (K) through the 4 holes located in the Anchor Footing Template (N). Then thread a second 16mm J-Bolt Hex Nut (L) on to each 16mm Anchor J-Bolt (K) until tight against the Anchor Footing Template (N), making sure to keep the 16mm Anchor J-Bolt (K) hooks pointing in toward the center of the Anchor Footing Template (N).
4. For this step you will need: level, broomstick and tape measure. The 48" x 24" anchor footing will require a little over a 1/2 yard of 3000 psi concrete (32-34 60 pound sacks of premix concrete). More will be needed if you dig a larger hole.

NOTE: *Make certain that you have enough concrete to finish the job. Allowing a portion to dry while you purchase more concrete will weaken the footing.*

5. Mix the concrete according to the instructions on the bag. Fill the hole full to ground level with as little time between batches as possible.

NOTE: *It is better to mix it slightly wet than too dry.*

6. Insert the broomstick in 3 or 4 different places and vibrate up and down to settle the concrete. Submerge the four Anchor Footing Rebar (M) pieces into the center of the hole spaced evenly. Next set the anchor system into the wet concrete, vibrate it as it goes in to make sure the concrete fills in around the 16mm Anchor J-Bolts (K) hooks. Make sure the Anchor Footing Template (N) is pressed firmly against the top of the wet concrete. Use the level to ensure that it is level in all directions. Additionally, the center line of the 16mm Anchor J-Bolts (K) must be parallel with the edge of the playing surface (See **figure C**).

NOTE: *The four 16mm J-Bolt Hex Nuts (L) on the bottom of the Anchor Footing Template (N) will be sacrificed into the concrete.*

STOP HERE!

Allow footing to cure for 3-7 days before proceeding.

PRO DUNK® ASSEMBLY INSTRUCTIONS

(~Day 5)

7. Loosen the top four 16mm J-Bolt Hex Nuts (L) from the 16mm Anchor J-Bolts (K). Leave Anchor Footing Template (N) in place.
8. Place the Vertical Post (A) down over the footing making sure not to damage the 16mm Anchor J-Bolts (K) threads. Using the final four 16mm J-Bolt Hex Nuts (L), bolt down Vertical Post (A) finger tight with two metal ears to the rear.
9. Level the Vertical Post (A) by adjusting the 16mm J-Bolt Hex Nuts (L) located underneath the flanged base plate of the Vertical Post (A). Then tighten top 16mm J-Bolt Hex Nuts (L) against the top side of the flanged base plate of the Vertical Post (A).
10. Slide the Main Extension Arm (B) over the top of the Vertical Post (A) and attach to the lower pivot tube with an 18mm X 33cm Hex Bolt (P) and a 18mm Lock Nut (Q).
11. Next attach the Crank Adjustment Cylinder (F) using an 18mm X 33cm Hex Bolt (P) at the top and 16mm X 15cm Hex Bolt (H) at the bottom. Tighten each with a 18mm Lock Nut (Q) and 16mm Lock Nut (J).
12. Line up the hole located in the Rim Height Indicator (G) which is plastic with a hole in one end over the hole in one of the second set of welded tubes in the Main Extension Arm (B). Attach both Spring-Assist Cartridges (E) to the Main Extension Arm (B) using an 18mm X 33cm Hex Bolt (P) and 18mm Lock Nut (Q). In order to attach both Spring-Assist Cartridges (E) at the bottom, lower the open end of each Spring-Assist Cartridge (E) down over the top of each welded tab as shown in **Figure A**. Use the 16mm X 19cm Hex Bolt (I) and 16mm Lock Nut (J) to attach them to the welded tabs. You may need to turn or rotate the Spring-Assist Cartridges (E) to line up holes. The Rim Height Indicator (G) should hang freely along the outside of one of the Spring-Assist Cartridges (E). Next, remove and discard the blue plastic spreader tube from Spring-Assist Cartridge (E).
13. Attach Parallel Linkages (C) to Vertical Post (A) with a 18mm X 30cm Hex Bolt (O) and a 18mm Lock Nut (Q).

NOTE: *It does not matter which end of the parallel link you attach to the vertical post.*

CAUTION: *Injury may occur if linkages are allowed to fall off main arm during assembly.*

14. Next, lay the H-Frame Backboard Mount (D) down into backboard aligning the four top and bottom holes in the H-Frame Backboard Mount (D) with the four holes in the top and bottom of the backboard. Check to make sure the rim hole pattern in the H-Frame Backboard Mount (D) lines up with the rim hole pattern in the backboard, adjust as needed. When you are

- satisfied with alignment, attach backboard to H-Frame Backboard Mount (D) at all points along the top and bottom of the board using the 10mm X 3cm Hex Bolts (R), 10mm Flatwashers (S), 10mm Lockwashers (T) and 10mm Hex Nuts (U) as shown in **figure D**. Tighten all 10mm hardware.
15. Mount the H-Frame Backboard Mount (D) and Backboard assembly lower pivot tube first to the Main Extension Arm (B) using one 18mm X 33cm Hex Bolt (P) and one 18mm Lock Nut (Q). Next, attach the upper H-Frame Backboard Mount (D) pivot tube to the Parallel Linkages (C) using one 18mm X 30cm Hex Bolt (O) and one 18mm Lock Nut (Q).
 16. Check face of backboard to see if it is level forward and back. If it is not level, correct it by adjusting the 16mm J-Bolt Hex Nuts (L) located underneath the Vertical Post (A) flanged base plate.
 17. Prior to installing the rim, locate four Plastic and Steel Spacers (W). Insert them into four rim holes in the backboard. This is very important to prevent backboard breakage.

CAUTION: *Do not proceed with rim installation without these spacers!*

18. Mount the rim to the H-Frame Backboard Mount (D) and Backboard assembly using the hardware supplied in the rim box.

NOTE: *Use a level to make sure rim is level side to side before tightening nuts*

19. After everything is square, make sure all nuts on the system have been tightened.

NOTE: *Do not over tighten. If unit is excessively difficult to crank up and down the 18mm Lock Nut (Q) that secures the Main Extension Arm (B) and Vertical Post (A) is probably too tight.*

20. To apply the Rim Height Sticker (V), first use a tape measure to crank rim up to exactly 10' from the playing surface. Use a pencil to make a mark on the Spring-Assist Cartridge (E) where the bottom of the Rim Height Indicator (G) stops. Then, peel and apply sticker to outside of Spring-Assist Cartridge (E) lining up the pencil mark with the 10' mark on the sticker. See **figure A** for a diagram of a completed height indicator assembly.

NOTE: *It is advisable to wait up to two weeks to allow the anchor footing to fully cure before aggressive play.*

Installation Figures

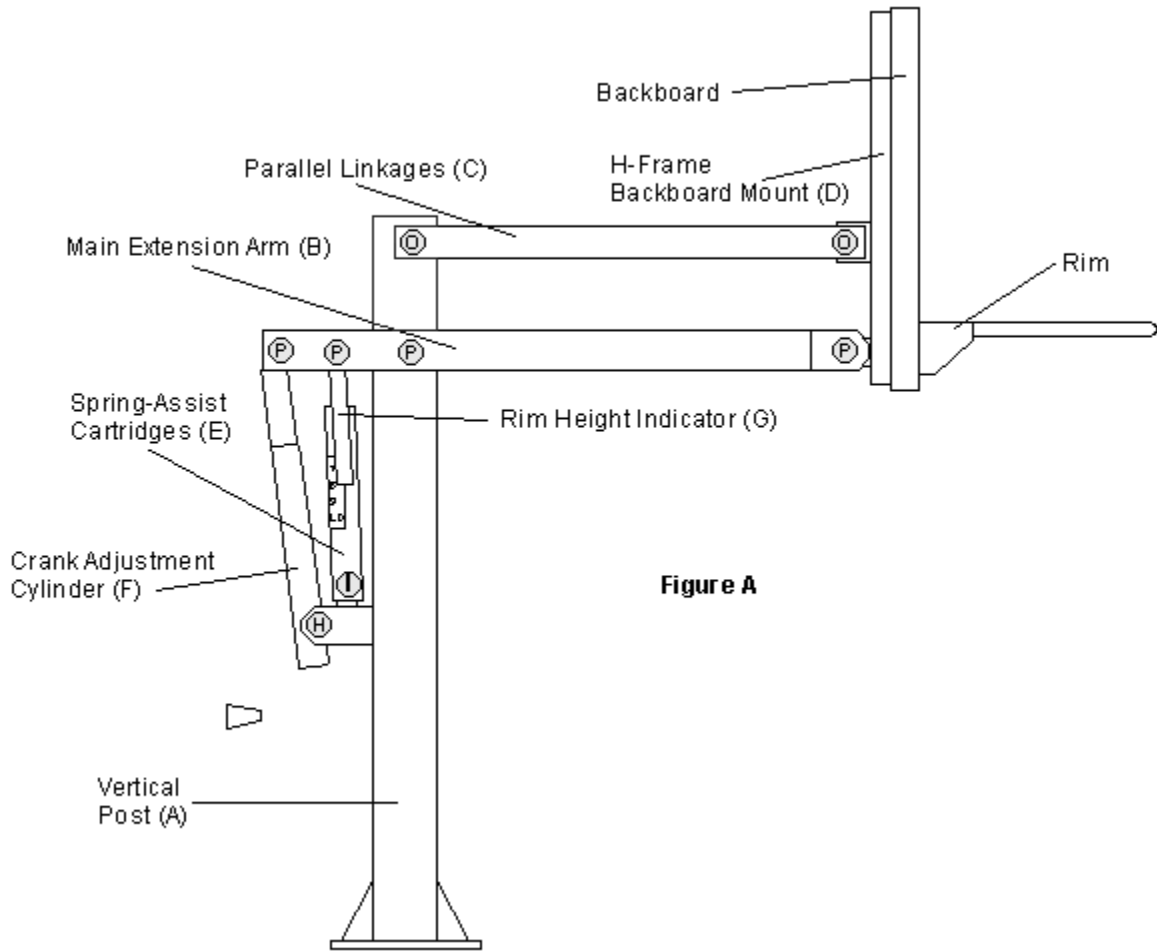


Figure A

Figure B

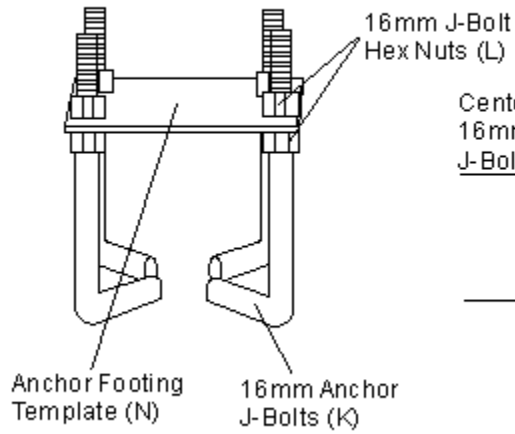


Figure C

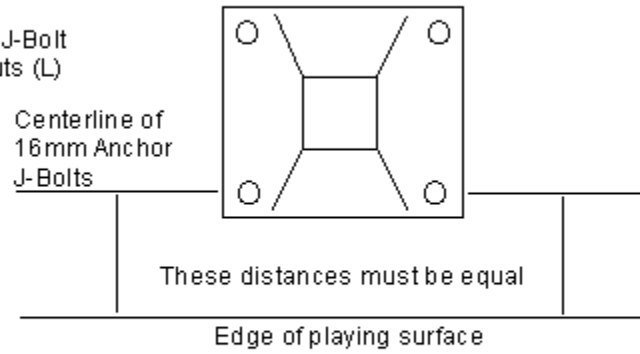
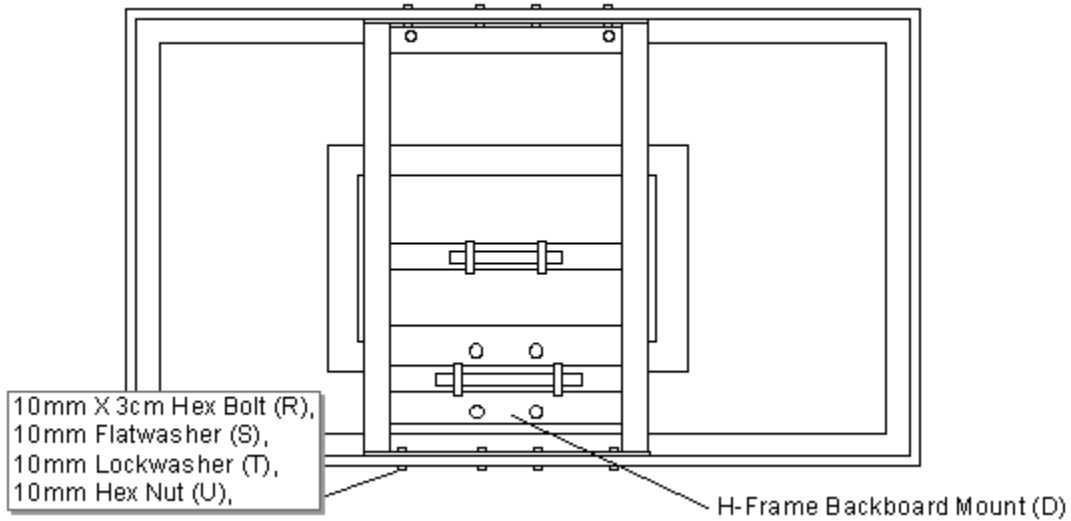


Figure D



Pro Dunk® Care Information

BACKBOARD

Items needed to clean backboard:

- 100% cotton soft cloth, (only)
- Mild dish washing liquid for soap
- Luke warm water

Cleaning Directions

Rinse backboard with lukewarm water. Wash gently with a 100% Cotton soft cloth, lukewarm water and mild soap. Do not scrub. Rinse backboard with lukewarm water again. Dry with 100% cotton soft cloth. To minimize scratches and minor abrasions to your backboard

Rim

- The goal should not be cranked under 5' 6" or over 10'. Adjustments of the goal should be done under adult supervision.
- When attempting slam dunk activity you should always wear a mouth guard to avoid dental injury.

Hoops Inc. Pro Dunk® Limited Lifetime Warranty

Hoops Pro Dunk® basketball structural components are warranted to the original purchaser to be free from defects in material or workmanship for the duration of ownership by the original retail purchaser. The word “defects” is defined as imperfections that impair the use of the product.

Warranty Fulfillment

Merchandise must be shipped prepaid with a copy of proof of purchase to Hoops Inc. for examination to see whether it needs to be repaired or replaced. Any labor costs, travel expenses and any other changes involved in the removal, installation or replacement of the defective/repaired parts from/to your Hoops Pro Dunk system will be your (the purchaser's) responsibility. Shipping charges for replaced or warranted merchandise being sent back to the customer must be prepaid by the customer in advance. If not, the replacement shipment will be sent out collect. Hoops Inc. reserves the right to examine photographs or physical evidence of merchandise claimed to be defective, and to recover said merchandise, prior to authorization of warranty claims.

What is not covered by this warranty

This warranty does not cover defects or damage due to improper installation, shipping, handling, alteration, accidents, vandalism, weather conditions (rusting), exposure to corrosives, negligence, misuse (anything other than a type of basketball activity or related contact with the unit), scratching, scuffing or any event beyond the control of the Hoops Inc..

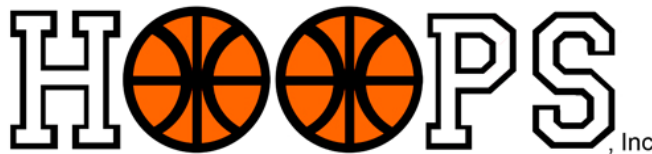
Liability

Hoops Inc. shall not be liable for indirect, special, or consequential damages arising out of or in connection with the use or performance of the products or other damages with respect to any economical loss, loss of property, loss of enjoyment of use, costs of removal, installation or other consequential damages for breach of any expressed or implied warranty on these products.

Guidelines

Keep your proof of purchase (original retail purchaser). Without it, we will not be able to proceed with any warranty service.

- Call
1-800-294-4667 / Warranty Dept.
- Write
Hoops Inc.
Attn: Warranty Dept
22047 Lutheran Church Rd.
Tomball TX 77377
- Email
support@hoopsincorporated.com



Toll Free: 1.800.294.4667
Web: www.hoopsincorporated.com
FAX: (281) 357-4822

Hoops Incorporated
22047 Lutheran Church Rd.
Tomball, TX 77377